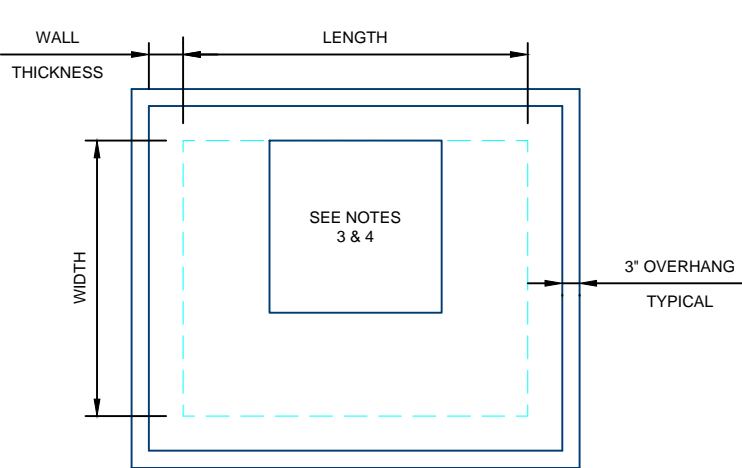
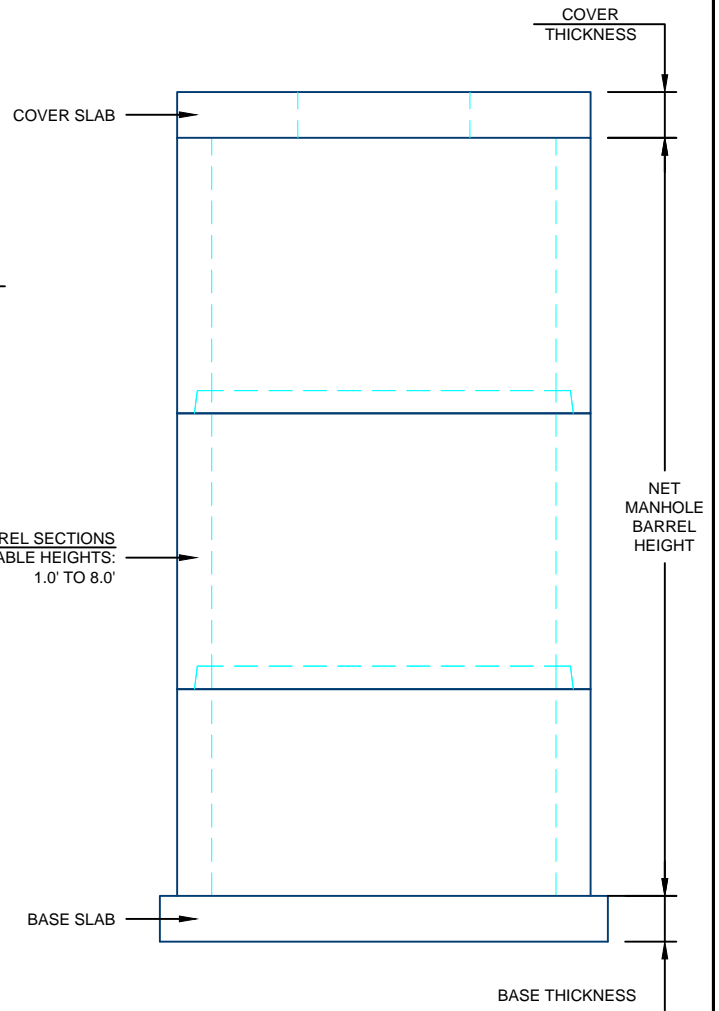


UTILITY BOX MANHOLE DESIGN DETAILS



PLAN VIEW



ELEVATION VIEW

STANDARD STRUCTURES						
LENGTH	WIDTH	WALL THICKNESS	COVER/BASE THICKNESS	BARREL WEIGHT	COVER WEIGHT	BASE WEIGHT
3'	3'	6"	6"	1,050 #/FT	1,200#	1,520#
4'	4'	6"	6"	1,350 #/FT	1,875#	2,270#
5'	4'	6"	6"	1,500 #/FT	2,250#	2,680#
5'	5'	6"	8"	1,650 #/FT	3,600#	4,225#
6'	4'	6"	6"	1,650 #/FT	2,625#	3,095#
6'	5'	6"	6"	1,800 #/FT	3,150#	3,660#
6'	6'	6"	8"	1,950 #/FT	4,900#	5,625#
7'	4'	8"	8"	2,470 #/FT	4,450#	5,160#
7'	5'	8"	8"	2,670 #/FT	5,280#	6,040#
7'	6'	8"	8"	2,870 #/FT	6,110#	6,920#
7'	7'	8"	8"	3,070 #/FT	6,950#	7,810#
8'	4'	8"	8"	2,670 #/FT	4,980#	5,740#
8'	5'	8"	8"	2,870 #/FT	5,920#	6,720#
8'	6'	8"	8"	3,070 #/FT	6,850#	7,710#
8'	7'	8"	8"	3,270 #/FT	7,780#	8,690#
8'	8'	8"	8"	3,470 #/FT	8,720#	9,670#
10'	4'	8"	8"	3,070 #/FT	6,050#	6,910#
10'	6'	8"	10"	3,470 #/FT	10,390#	11,590#
10'	8'	8"	10"	3,870 #/FT	13,230#	14,550#
10'	10'	8"	10"	4,270 #/FT	16,060#	17,510#
12'	4'	10"	10"	4,420 #/FT	9,690#	10,920#
12'	6'	10"	10"	4,920 #/FT	13,100#	14,470#
12'	8'	10"	10"	5,420 #/FT	16,520#	18,010#
12'	10'	10"	10"	5,920 #/FT	19,940#	21,550#
12'	12'	10"	10"	6,420 #/FT	23,350#	25,090#

NOTES:

1. WALL AND SLAB THICKNESS BASED ON HS-20 LOADING AND BURY DEPTHS FROM FOUR TO FOURTEEN FEET. THICKNESS MAY VARY BASED ON ACTUAL PROJECT CONDITIONS.
2. STEPS PROVIDED AS REQUIRED
3. ACCESS OPENINGS PROVIDED AS REQUIRED
4. EMBEDDED CASTINGS/HATCHES AVAILABLE UPON REQUEST
5. MONOLITHIC BASE SLABS AVAILABLE UPON REQUEST
6. OTHER SIZES AVAILABLE, CONTACT HANCOCK FOR ADDITIONAL INFORMATION

For more information about our products please contact us at:
(320) 392-5207

www.hancockconcrete.com

© 2015 Hancock Concrete Products, LLC