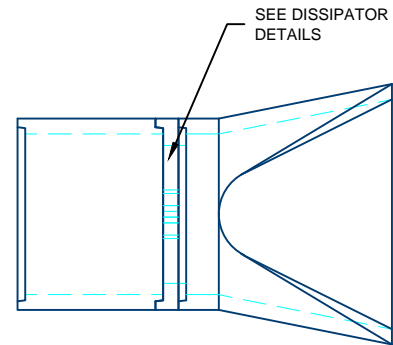
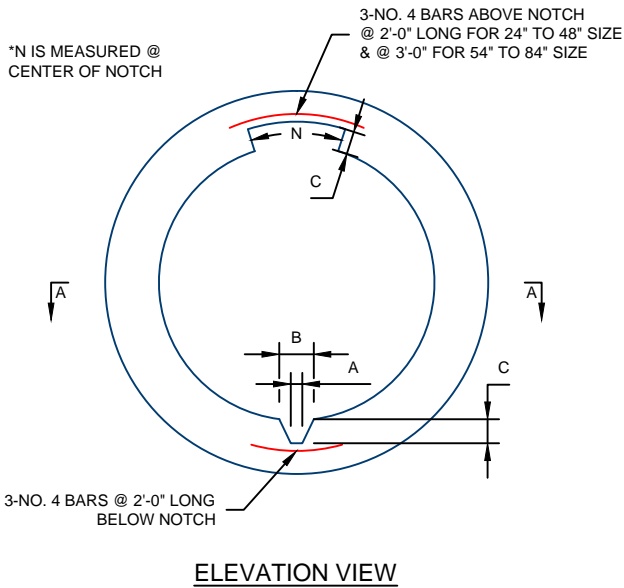


### REINFORCED CONCRETE DISSIPATOR DETAILS



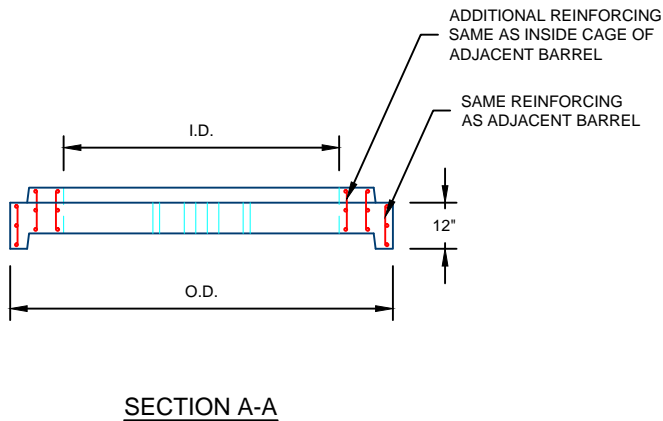
**PIPE SECTION WITH  
DISSIPATOR**

#### TYPE 1

SIZE	I.D.	O.D.	A	B	C	N	C
24	21"	30"	1"	3"	1½"	7"	375#
30	24"	37"	1"	3"	3"	9"	645#
36	30"	44"	1"	3"	3"	10"	845#
42	36"	51"	2"	6"	3"	12"	1,055#
48	42"	58"	2"	6"	3"	14"	1,300#
54	42"	65"	2"	6"	6"	16"	1,990#
60	48"	72"	3"	9"	6"	18"	2,320#
66	54"	79"	3"	9"	6"	20"	2,685#
72	60"	86"	3"	9"	6"	22"	3,225#
78	66"	93"	3"	9"	6"	24"	3,475#
84	72"	100"	3"	9"	6"	24"	3,750#

#### TYPE 2

SIZE	I.D.	O.D.	A	B	C	N	C
24	18"	30"	1"	3"	3"	7"	470#
30	18"	37"	1"	3"	6"	9"	850#
36	24"	44"	1"	3"	6"	10"	1,100#
42	30"	51"	2"	6"	6"	12"	1,370#
48	36"	58"	2"	6"	6"	14"	1,670#
54	30"	65"	2"	6"	12"	16"	2,670#
60	36"	72"	3"	9"	12"	18"	3,105#
66	42"	79"	3"	9"	12"	20"	3,590#
72	48"	86"	3"	9"	12"	22"	4,090#
78	54"	93"	3"	9"	12"	24"	4,615#
84	60"	100"	3"	9"	12"	24"	4,855#



For more information about our products please contact us at:  
(320) 392-5207

[www.hancockconcrete.com](http://www.hancockconcrete.com)

© 2015 Hancock Concrete Products, LLC