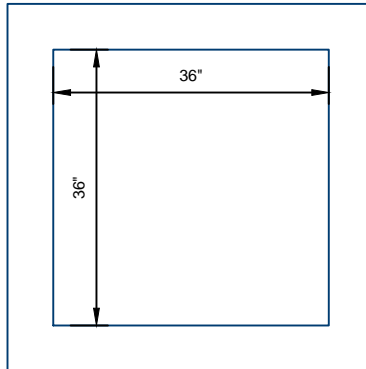
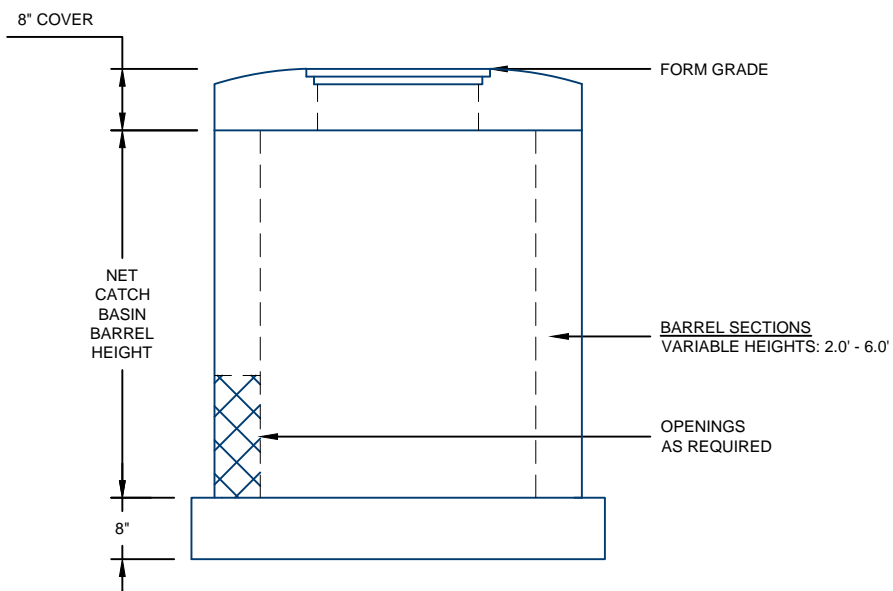


VERTICAL THROAT AREA INTAKE DESIGN DETAILS



PLAN VIEW



ELEVATION VIEW

NOTES:

1. ALL COMPONENTS ARE MANUFACTURED PER SW 562
2. INTEGRAL BASE AVAILABLE

For more information about our products please contact us at:
(712) 665-2822

www.hancockconcrete.com

© 2015 Hancock Concrete Products, LLC