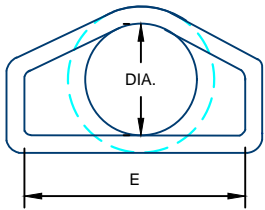
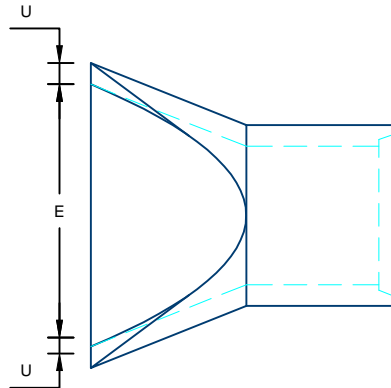


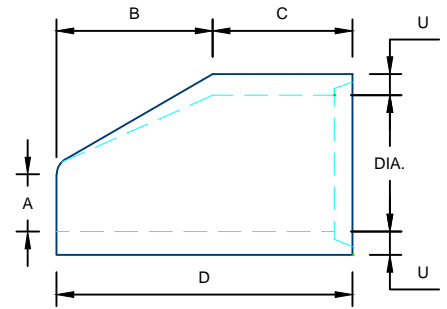
REINFORCED CONCRETE PIPE
FLARED END SECTION DETAILS



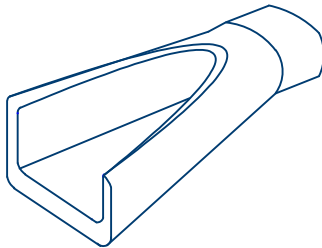
END VIEW



TOP VIEW



SIDE VIEW



PERSPECTIVE

DIA	A	B	C	D	E	U	WEIGHT
12	4"	2'-0"	4'-0"	6'-0"	2'-0"	2"	530#
15	6"	2'-2"	3'-10"	6'-0"	2'-6"	2½"	740#
18	9"	2'-2"	3'-10"	6'-0"	3'-0"	2½"	990#
21	9"	2'-11"	3'-1"	6'-0"	3'-6"	2¾"	1,280#
24	9.5"	3'-6"	2'-6"	6'-0"	4'-0"	3"	1,520#
27	10.5"	4'-0"	2'-0"	6'-0"	4'-6"	3½"	1,930#
30	1'-0"	4'-4"	1'-8"	6'-0"	5'-0"	3½"	2,190#
36	1'-3"	5'-1"	2'-11"	8'-0"	6'-0"	4"	4,100#
42	1'-9"	5'-1"	2'-11"	8'-0"	6'-6"	4½"	5,380#
48	2'-0"	5'-10"	2'-2"	8'-0"	7'-0"	5"	6,550#
54	2'-3"	5'-3"	2'-9"	8'-0"	7'-6"	5½"	8,240#
60	2'-11"	4'-9"	3'-3"	8'-0"	8'-0"	6"	8,730#
66	2'-6"	5'-9"	2'-3"	8'-0"	8'-6"	6½"	10,710#
72	3'-0"	6'-3"	1'-9"	8'-0"	9'-0"	7"	12,520#
78	3'-0"	7'-3"	1'-9"	9'-0"	9'-6"	7½"	14,770#
84	3'-0"	7'-3"	1'-9"	9'-0"	10'-0"	8"	18,160#

NOTES:

1. MANUFACTURED IN ACCORDANCE WITH ASTM C-76.

For more information about our products please contact us at:
(605) 335-7807

www.hancockconcrete.com

© 2015 Hancock Concrete Products, LLC