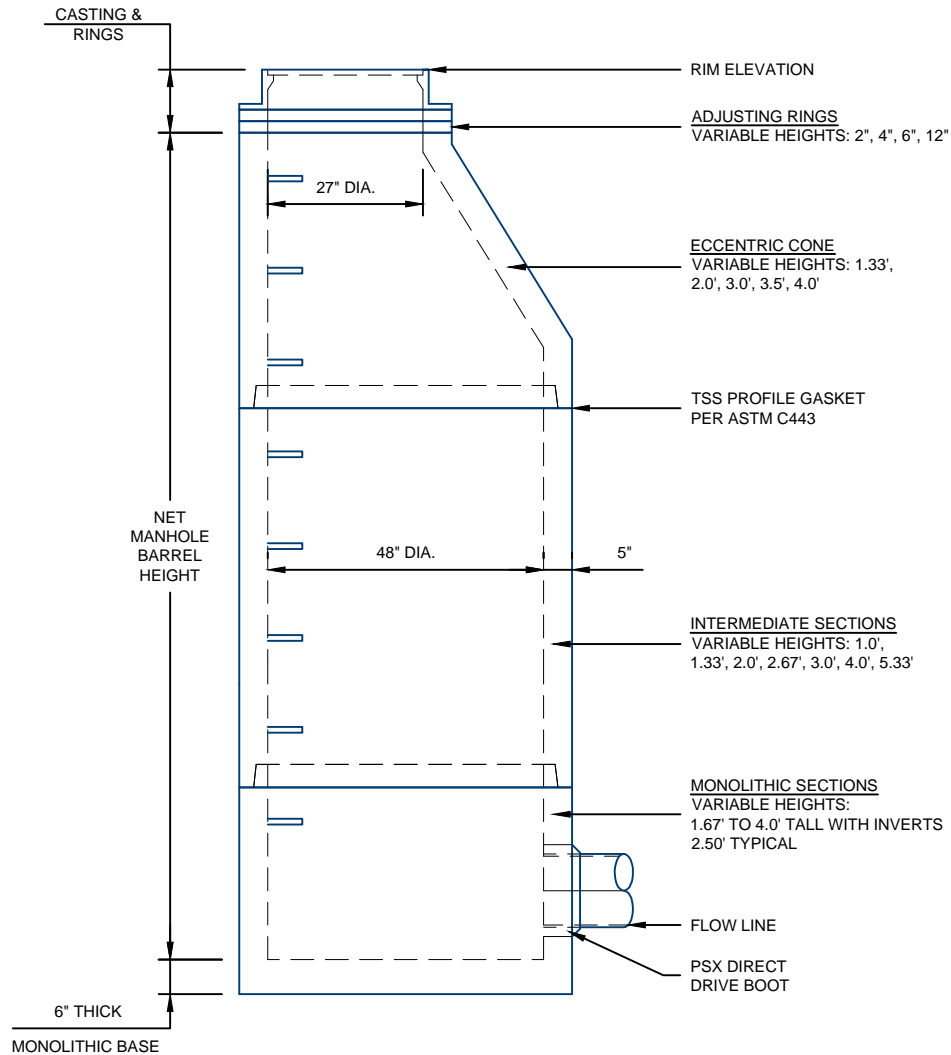


### 48" SANITARY MANHOLE DESIGN DETAILS



BARREL WEIGHT = 865 LBS/FT  
INTEGRAL BASE = 945 LBS

**NOTES:**

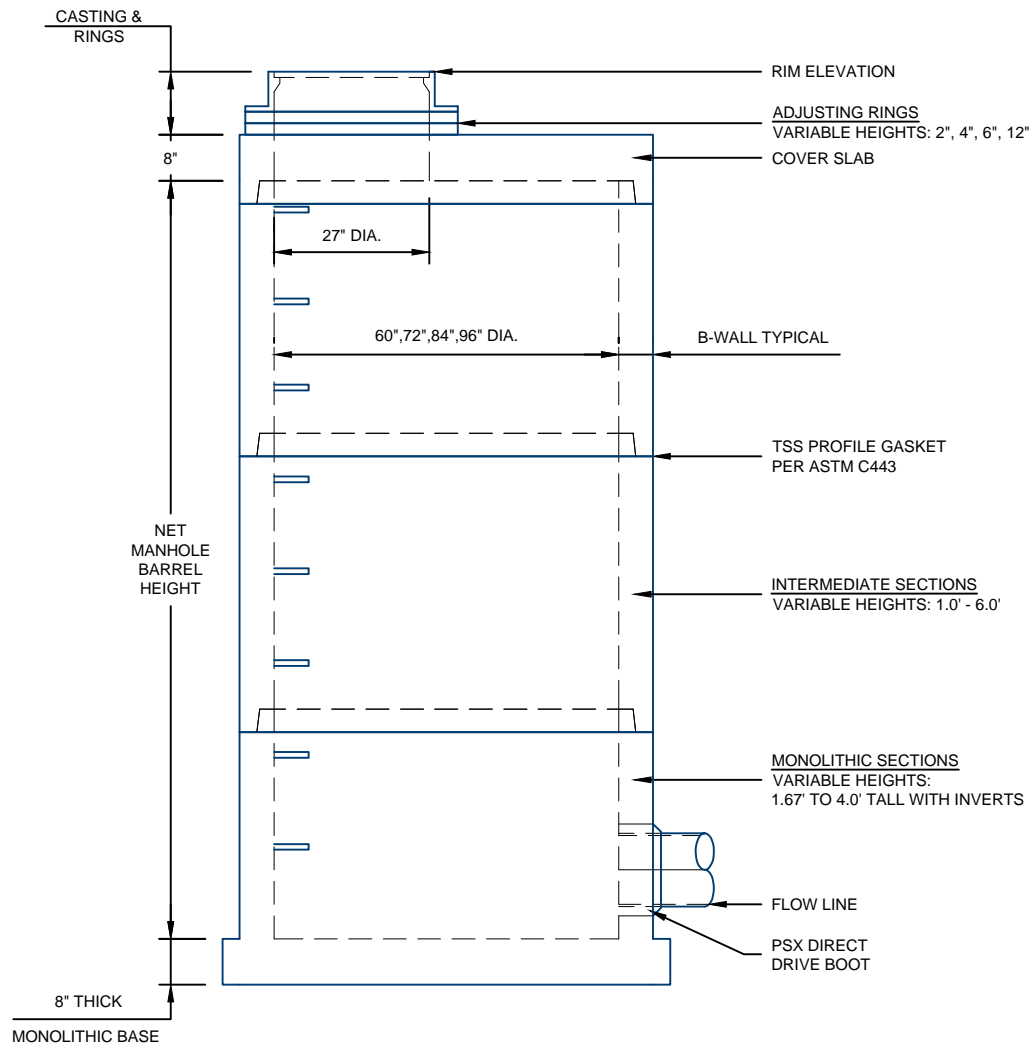
1. ALL COMPONENTS ARE MANUFACTURED PER ASTM C478.
2. STEPS PROVIDED - TYPICAL
3. POURED INVERTS AVAILABLE AS REQUIRED.

For more information about our products please contact us at:  
(712) 665-2822

[www.hancockconcrete.com](http://www.hancockconcrete.com)

© 2015 Hancock Concrete Products, LLC

### 60" SANITARY MANHOLE DESIGN DETAILS



**NOTES:**

1. ALL COMPONENTS ARE MANUFACTURED PER ASTM C478
2. STEPS PROVIDED - TYPICAL
3. POURED INVERTS AVAILABLE AS REQUIRED

For more information about our products please contact us at:  
(712) 665-2822

[www.hancockconcrete.com](http://www.hancockconcrete.com)

© 2015 Hancock Concrete Products, LLC