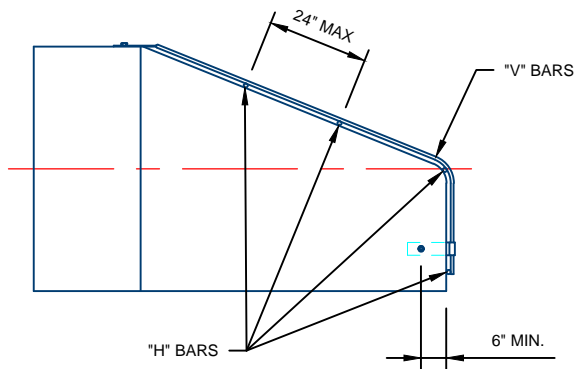
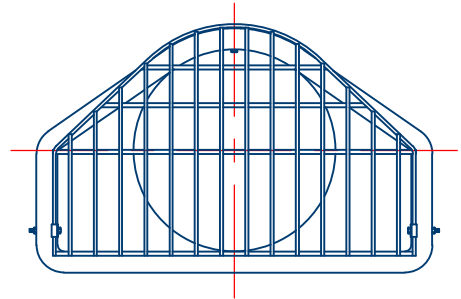
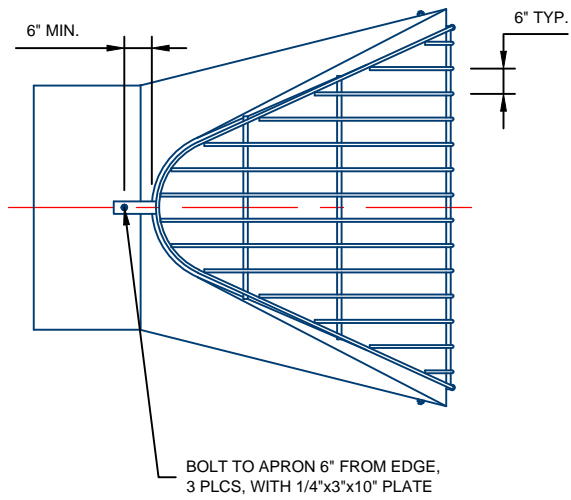


REINFORCED CONCRETE CIRCULAR AND ARCH PIPE TRASH GUARD DETAILS



NOTES:

1. BARS & PLATES ARE HR STEEL
2. GUARDS CAN BE HOT DIPPED GALVANIZED, COLD GALVANIZED OR PAINTED.

APRON DIA.	"V" BAR DIA.	"H" BAR DIA.	"H" BARS REQ.	BOLT DIA.	BOLT LENGTH
12	3/8"	3/8"	3	3/8"	3 1/2"
15	3/8"	3/8"	3	3/8"	4"
18	3/8"	3/8"	4	3/8"	4"
21	3/4"	3/4"	4	3/8"	4 1/2"
24	3/4"	3/4"	4	3/8"	4 1/2"
27	3/4"	3/4"	4	3/8"	5"
30	3/4"	3/4"	4	3/8"	5"
36	3/4"	1"	4	3/8"	5 1/2"
42	3/4"	1"	4	3/8"	6"
48	3/4"	1"	5	3/8"	6 1/2"
54	3/4"	1"	5	3/8"	7"
60	3/4"	1"	5	3/8"	7 1/2"
66	3/4"	1"	6	3/8"	8"
72	3/4"	1 1/4"	6	3/8"	8 1/2"
84	3/4"	1 1/4"	7	3/8"	9 1/2"
90	3/4"	1 1/4"	7	3/8"	10"

APRON SPAN	"V" BAR DIA.	"H" BAR DIA.	"H" BARS REQ.	BOLT DIA.	BOLT LENGTH
22	3/8"	3/8"	3	3/8"	4"
29	3/4"	3/4"	4	3/8"	4 1/2"
36	3/4"	3/4"	4	3/8"	5"
44	3/4"	1"	4	3/8"	5 1/2"
51	3/4"	1"	4	3/8"	6"
58	3/4"	1"	4	3/8"	6 1/2"
65	3/4"	1"	4	3/8"	7"
73	3/4"	1"	5	3/8"	7 1/2"
88	3/4"	1 1/4"	5	3/8"	8 1/2"
102	3/4"	1 1/4"	6	3/8"	9 1/2"

For more information about our products please contact us at:
(320) 392-5207

www.hancockconcrete.com

© 2015 Hancock Concrete Products, LLC