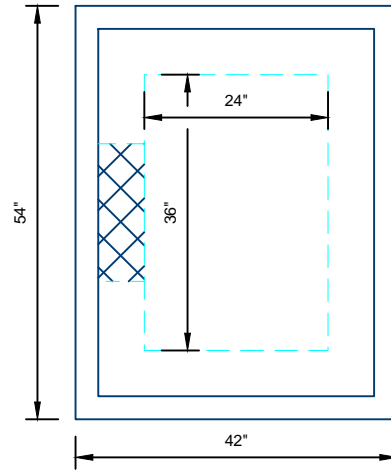
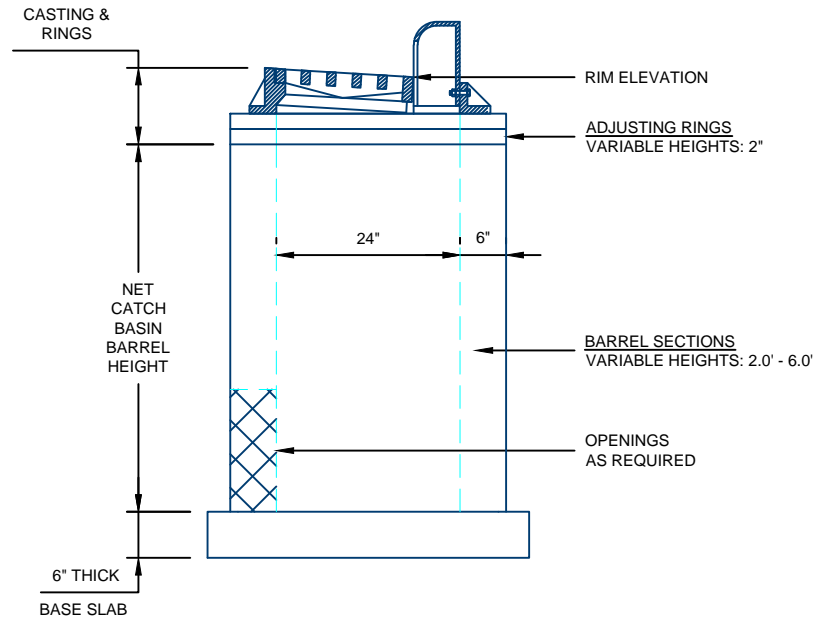


**2' X 3' TYPE 2 CATCH BASIN  
DESIGN DETAILS**



**PLAN VIEW**



**ELEVATION VIEW**

BARREL WEIGHT = 900 LBS/FT  
BASE WEIGHT = 1,180 LBS

**NOTES:**

1. ALL COMPONENTS ARE MANUFACTURED PER ASTM C913
2. INTEGRAL BASE AVAILABLE

For more information about our products please contact us at:  
(701) 393-4424

[www.hancockconcrete.com](http://www.hancockconcrete.com)

© 2015 Hancock Concrete Products, LLC