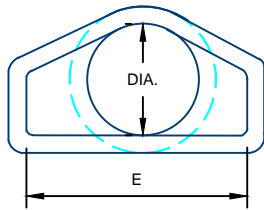
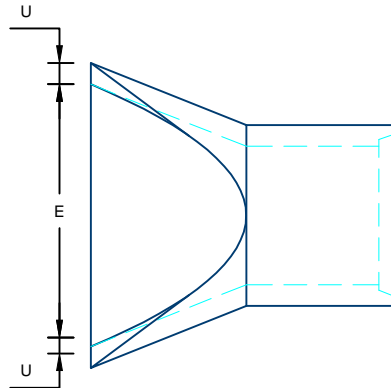


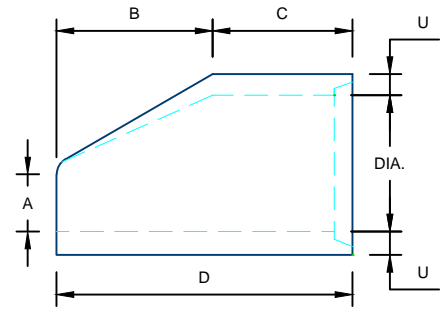
REINFORCED CONCRETE PIPE
FLARED END SECTION DETAILS



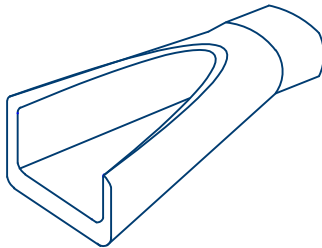
END VIEW



TOP VIEW



SIDE VIEW



PERSPECTIVE

| DIA | A | B | C | D | E | U | WEIGHT |
|-----|--------|--------|--------|-------|--------|-----|---------|
| 12 | 4" | 2'-0" | 4'-0" | 6'-0" | 2'-0" | 2" | 530# |
| 15 | 6" | 2'-2" | 3'-10" | 6'-0" | 2'-6" | 2½" | 740# |
| 18 | 9" | 2'-2" | 3'-10" | 6'-0" | 3'-0" | 2½" | 990# |
| 21 | 9" | 2'-11" | 3'-1" | 6'-0" | 3'-6" | 2¾" | 1,280# |
| 24 | 9.5" | 3'-6" | 2'-6" | 6'-0" | 4'-0" | 3" | 1,520# |
| 27 | 10.5" | 4'-0" | 2'-0" | 6'-0" | 4'-6" | 3½" | 1,930# |
| 30 | 1'-0" | 4'-4" | 1'-8" | 6'-0" | 5'-0" | 3½" | 2,190# |
| 36 | 1'-3" | 5'-1" | 2'-11" | 8'-0" | 6'-0" | 4" | 4,100# |
| 42 | 1'-9" | 5'-1" | 2'-11" | 8'-0" | 6'-6" | 4½" | 5,380# |
| 48 | 2'-0" | 5'-10" | 2'-2" | 8'-0" | 7'-0" | 5" | 6,550# |
| 54 | 2'-3" | 5'-3" | 2'-9" | 8'-0" | 7'-6" | 5½" | 8,240# |
| 60 | 2'-11" | 4'-9" | 3'-3" | 8'-0" | 8'-0" | 6" | 8,730# |
| 66 | 2'-6" | 5'-9" | 2'-3" | 8'-0" | 8'-6" | 6½" | 10,710# |
| 72 | 3'-0" | 6'-3" | 1'-9" | 8'-0" | 9'-0" | 7" | 12,520# |
| 78 | 3'-0" | 7'-3" | 1'-9" | 9'-0" | 9'-6" | 7½" | 14,770# |
| 84 | 3'-0" | 7'-3" | 1'-9" | 9'-0" | 10'-0" | 8" | 18,160# |

NOTES:

1. MANUFACTURED IN ACCORDANCE WITH ASTM C-76.

For more information about our products please contact us at:
(320) 392-5207

www.hancockconcrete.com

© 2015 Hancock Concrete Products, LLC