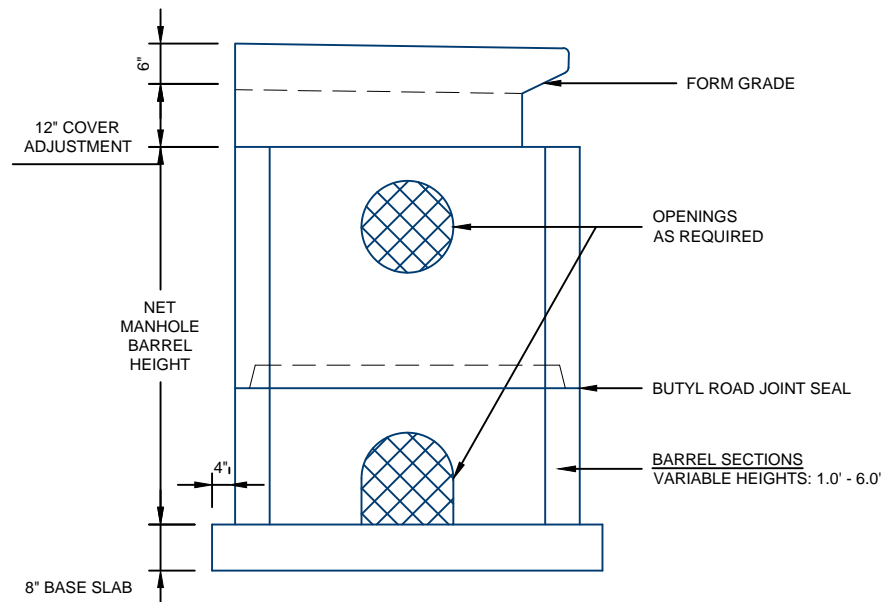
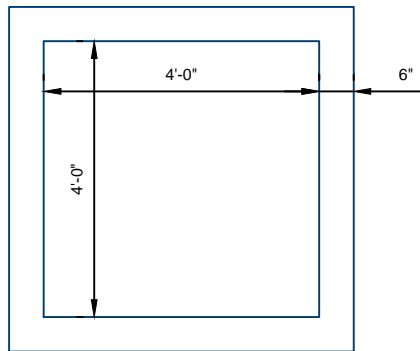


### SINGLE OPEN THROAT INTAKE LARGE BOX DESIGN DETAILS



**NOTES:**

1. ALL COMPONENTS ARE MANUFACTURED PER SUDAS SW-508

For more information about our products please contact us at:  
(712) 665-2822

[www.hancockconcrete.com](http://www.hancockconcrete.com)

© 2015 Hancock Concrete Products, LLC